



HEIDENHAIN



Product Information

ECN 413

ECN 425

ERN 487

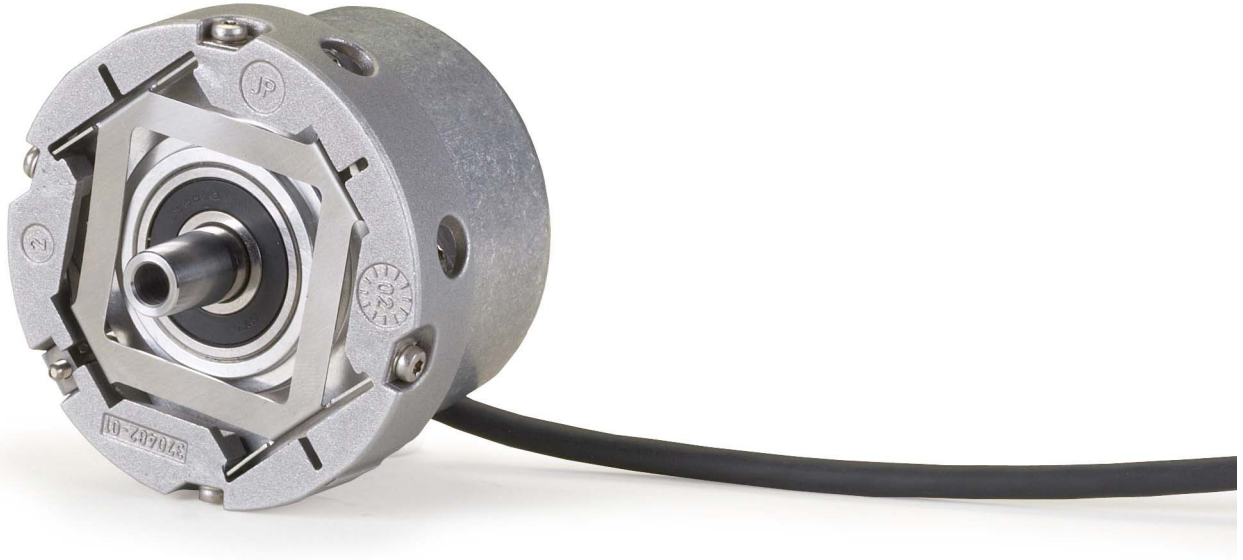
Rotary Encoders for
Elevator Drive Control
(IP64 Degree of Protection)

June 2017

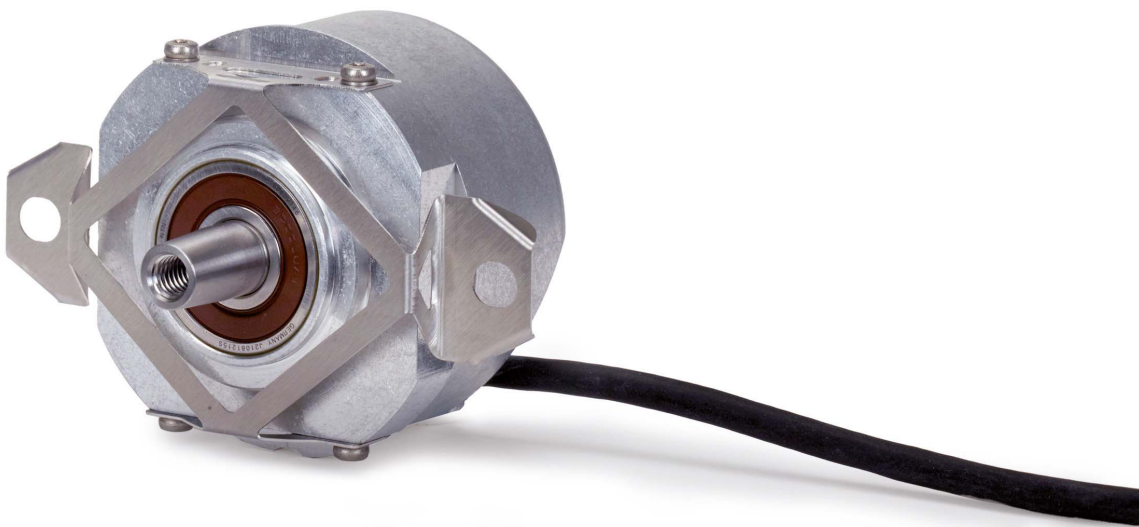
ECN/ERN 400 series

Rotary encoders with integral bearings for elevator technology

- Simple installation
- Rigid shaft coupling
- Expanding ring coupling or plane-surface coupling
- Uniform dimensions for various electrical interfaces



ECN/ERN 400 series with expanding ring coupling



ECN/ERN 400 series with plane-surface coupling

	Absolute		Incremental
	ECN 425	ECN 413	ERN 487
Part number	683644-xx	1065932-xx	749143-xx
Interface¹⁾	EnDat 2.2		~ 1 V _{PP}
Ordering designation	EnDat22	EnDat01	–
Position values/revolution	33554432 (25 bits)	8192 (13 bits)	Z1 track ³⁾
Electrically permissible speed/error ²⁾	≤ 12 000 rpm (for continuous position value)	≤ 1500 rpm/±1 LSB ≤ 12 000 rpm/±50 LSB	–
Calculation time t _{cal} Clock frequency	≤ 7 μs ≤ 8 MHz	≤ 9 μs ≤ 2 MHz	–
Incremental signals ¹⁾	–	~ 1 V _{PP}	~ 1 V _{PP}
Line count/system accuracy	2048/±20"		
Reference mark	–		One
Cutoff frequency –3 dB	–	≥ 400 kHz	≥ 210 kHz
Electrical connection*	Cable 1 m/5 m with M12 coupling	Cable 1 m/5 m without coupling	Cable 1 m/5 m without coupling
Voltage supply	DC 3.6 V to 14 V		DC 5 V ±0.25 V
Power consumption¹⁾ (maximum)	3.6 V: ≤ 600 mW 14 V: ≤ 700 mW		–
Current consumption	5 V: 85 mA (typical, without load)		≤ 130 mA (without load)
Stator coupling*	Expanding ring coupling or plane-surface coupling		
Shaft	Taper shaft Ø 9.25 mm; taper 1:10		
Mech. permiss. speed n	<i>Expanding ring coupling:</i> ≤ 12 000 rpm <i>Plane-surface coupling:</i> ≤ 2 000 rpm		
Starting torque	≤ 0.01 Nm (at 20 °C)		
Moment of inertia of rotor	2.6 · 10 ^{–6} kgm ²		
Permissible axial motion of the measured shaft ⁴⁾	<i>Expanding ring coupling:</i> ±0.5 mm <i>Plane-surface coupling:</i> ±1.5 mm		
Radial runout of the measured shaft	<i>Expanding ring coupling:</i> 0.02 mm <i>Plane-surface coupling:</i> 0.13 mm (for static radial mounting tolerance also ±0.13 mm)		
Vibration 55 Hz to 2000 Hz Shock 6 ms	≤ 300 m/s ² (EN 60 068-2-6) ≤ 2000 m/s ² (EN 60 068-2-27)		
Operating temperature	–10 °C to +100 °C		
Protection EN 60529	IP 64		
Mass	≈ 0.25 kg		

* Please select when ordering

¹⁾ See catalog: *Interfaces of HEIDENHAIN Encoders*

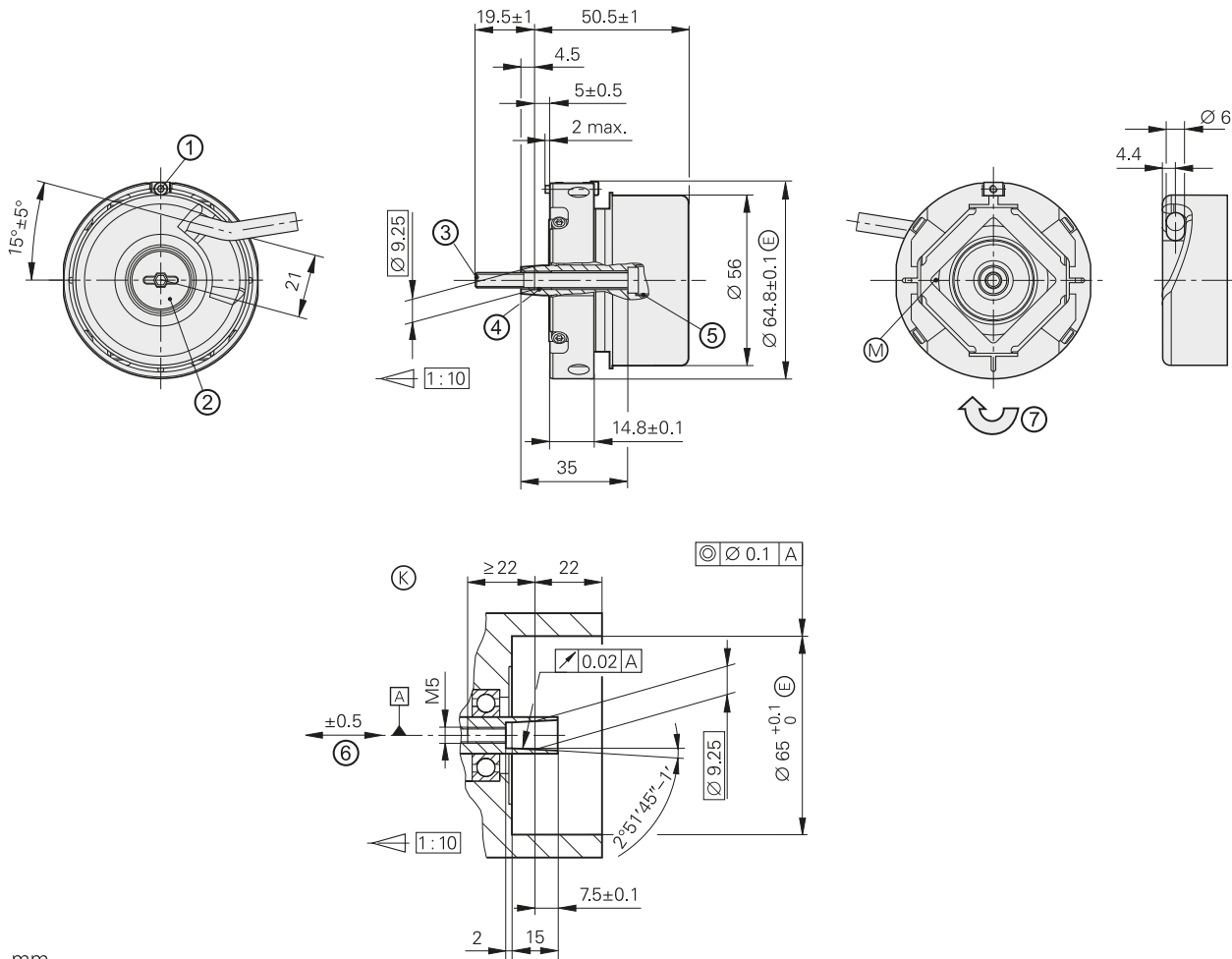
²⁾ Velocity-dependent deviations between the absolute value and incremental signals

³⁾ One sine and one cosine signal per revolution

⁴⁾ Compensation of mounting tolerances and thermal expansion, not dynamic motion

ECN/ERN 400 series

With expanding ring coupling 06



mm



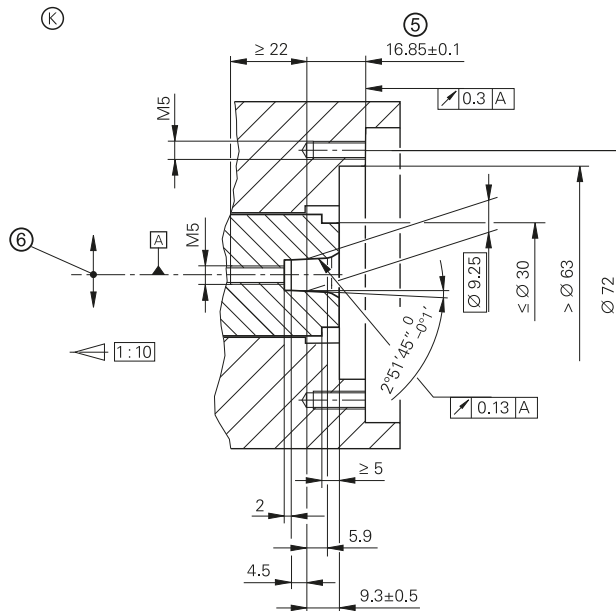
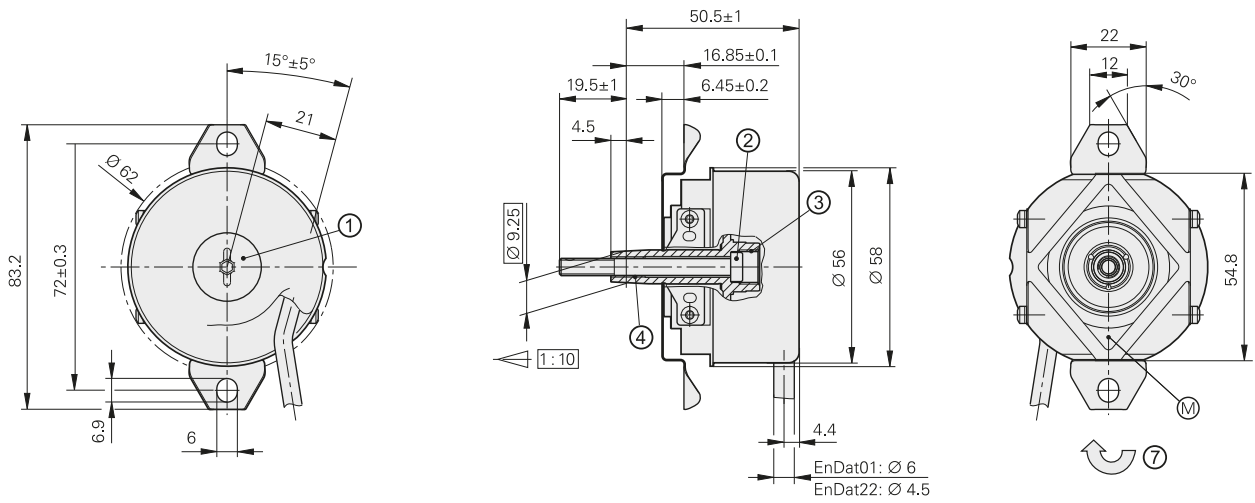
Tolerancing ISO 8015

ISO 2768 - m H

< 6 mm: ±0.2 mm

- ▢ = Bearing of mating shaft
- ⊙ = Required mating dimensions
- Ⓜ = Measuring point for operating temperature
- ① = Clamping screw for coupling ring, width A/F 2. Tightening torque: 1.25—0.2 Nm
- ② = Screw plug, width A/F 3 and 4. Tightening torque: 5+0.5 Nm
- ③ = Self-tightening screw M5 x 50 DIN 6912 width A/F 4, tightening torque 5+0.5 Nm
- ④ = M6 back-off thread
- ⑤ = M10 back-off thread
- ⊙ = Compensation of mounting tolerances and thermal expansion, no dynamic motion
- ↻ = Direction of shaft rotation for output signals as per the interface description

With plane-surface coupling



mm


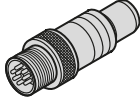



 Tolerancing ISO 8015
 ISO 2768 - m H
 < 6 mm: ±0.2 mm

- ▣ = Bearing of mating shaft
- ▣ = Bearing of encoder
- ⊙ = Required mating dimensions
- ⊙ = Measuring point for operating temperature
- ① = Screw plug, width A/F 3 and 4. Tightening torque: 5+0.5 Nm
- ② = Self-tightening screw M5x50 DIN 6912 width A/F 4, tightening torque 5+0.5 Nm
- ③ = M10 back-off thread
- ④ = M6 back-off thread
- ⑤ = Max. permissible tolerance during motor shaft rotation ±1.5 mm
- ⑥ = Max. permissible static radial offset of motor shaft in indicated direction ±0.13 mm
- ⑦ = Direction of shaft rotation for output signals as per the interface description

Electrical connection

Pin layouts

ECN 425 pin layout


8-pin coupling, M12								
								
	Power supply				Serial data transfer			
	8	2	5	1	3	4	7	6
	U_P	Sensor U_P	0V	Sensor 0V	DATA	DATA	CLOCK	CLOCK
	Brown/Green	Blue	White/Green	White	Gray	Pink	Violet	Yellow

Shield connected with housing; **U_P** = Power supply

Sensor: The sensor line is connected in the encoder with the corresponding power line.

Vacant pins or wires must not be used.

ECN 413 pin layout


Voltage supply						Incremental signals				Serial data transfer			
	U_P	Sensor U_P	0V	Sensor 0V	Internal shield	A+	A-	B+	B-	DATA	DATA	CLOCK	CLOCK
	Brown/Green	Blue	White/Green	White	/	Green/Black	Yellow/Black	Blue/Black	Red/Black	Gray	Pink	Violet	Yellow


Shield connected with housing; **U_P** = Power supply

Sensor: The sensor line is connected in the encoder with the corresponding power line.

Vacant pins or wires must not be used.

ERN 487 pin layout

	Voltage supply					Incremental signals					
	U_P	Sensor U _P	0V	Sensor 0V	Internal shield	A+	A-	B+	B-	R+	R-
	Brown/ Green	Blue	White/ Green	White	/	Green/ Black	Yellow/ Black	Blue/ Black	Red/Black	Red	Black

	Other signals			
	C+	C-	D+	D-
	Gray	Pink	Yellow	Violet

Shield connected with housing; **U_P** = Power supply;
C, D = Commutation signals for sinusoidal commutation
Sensor: The sensor line is connected with the corresponding supply voltage.
 Vacant pins or wires must not be used.

HEIDENHAIN measuring equipment

PWM 20

Together with the ATS adjusting and testing software, the PWM 20 phase angle measuring unit serves for diagnosis and adjustment of HEIDENHAIN encoders.



For more information, see the *PWM 20/ATS Software* Product Information document.

	PWM 20
Encoder input	<ul style="list-style-type: none"> • EnDat 2.1 or EnDat 2.2 (absolute value with or without incremental signals) • DRIVE-CLiQ • Fanuc Serial Interface • Mitsubishi high speed interface • Yaskawa Serial Interface • Panasonic serial interface • SSI • 1 V_{PP}/TTL/11 μA_{PP} • HTL (via signal adapter)
Interface	USB 2.0
Voltage supply	AC 100 V to 240 V or DC 24 V
Dimensions	258 mm x 154 mm x 55 mm

	ATS
Languages	Choice between English and German
Functions	<ul style="list-style-type: none"> • Position display • Connection dialog • Diagnostics • Mounting wizard for EBI/ECI/EQI, LIP 200, LIC 4000 and others • Additional functions (if supported by the encoder) • Memory contents
System requirements and recommendations	PC (dual-core processor > 2 GHz) RAM > 2 GB Operating system: Windows XP, Vista, 7, 8, 10 (32-bit/64-bit) 200 MB free space on hard disk

DRIVE-CLiQ is a registered trademark of SIEMENS AG.

PWT 100

The PWT 100 is a testing device for checking the function and adjustment of incremental and absolute HEIDENHAIN encoders. Thanks to its compact dimensions and robust design, the PWT 100 is ideal for mobile use.



You can find more information in the Product Information *PWT 100*.

	PWT 100
Encoder input Only for HEIDENHAIN encoders	<ul style="list-style-type: none">• EnDat• Fanuc Serial Interface• Mitsubishi High Speed Interface• Panasonic Serial Interface• Yaskawa Serial Interface• 1 V_{PP}• 11 μA_{PP}• TTL
Display	4.3" color flat-panel display (touch screen)
Voltage supply	24 V DC Power consumption: max. 15 W
Operating temperature	0 °C to 40 °C
Protection EN 60 529	IP20
Dimensions	≈ 145 mm x 85 mm x 35 mm

HEIDENHAIN

DR. JOHANNES HEIDENHAIN GmbH

Dr.-Johannes-Heidenhain-Straße 5

83301 Traunreut, Germany

☎ +49 8669 31-0

FAX +49 8669 32-5061

E-mail: info@heidenhain.de

www.heidenhain.de

This Product Information supersedes all previous editions, which thereby become invalid. The basis for ordering from HEIDENHAIN is always the Product Information document edition valid when the order is made.



For more information:

Comply with the requirements described in the following documents to ensure the correct operation of the encoder:

- Brochure: *Position Encoders for Servo Drives*
- Brochure: *Rotary Encoders*
- Brochure: *Interfaces of HEIDENHAIN Encoders*